



CREATING
emotion

FLORIUM
by *FLEURETTE*

Everyone has their own lifestyle and ideal motorhome experience.

We are inspired by your passion.

FLORIUM
by FLEURETTE

Made in France excellence for motorhome journeys.



Experience and explore freely, without limits.
Stylish & Modern
Distinction by FLORIUM

Pages 8 to 15 > FLORIUM



Pages 16 to 23 > FLORIUM
by FLEURETTE



Enjoy stress-free travel and refresh your senses.
Natural & Authentic
Exception FLORIUM by FLEURETTE

Pages 24 to 27 > CRISTAL
limited edition series



Travel in the finest of motorhomes.
Exceptional & Elegant
Choose from our limited edition range



Made in France
By Fleurette Constructeur
Over 50 years of history **04**
100% polyester and fitted joinery **06**
Assembly method and insulation **07**

Streamlined & Stylish **08**
By Florium
Baxter range **10**
Mayflower range **12**
Winchester range **14**

Authentic & Elegant **16**
Florium by Fleurette
Migrateur range **18**
Magister range **20**
Discover range **22**

Different & Unique **24**
Cristal limited edition series

Your choices
Customising your motorhome
Specs **28**
Upholstery **32**
Overview of layouts **34**

Fleurette Constructeur
Injecting emotion
into every journey.

FLEURETTE CONSTRUCTEUR

Choosing responsible,
French manufacturing.

Continuously looking to the future, our teams carry on our company's 50 years of «Made in France» craftsmanship, from our first Super folding caravans right up to our latest 68LM A-Class models.

Our commitment has not changed since we started: "Creating high quality, premium recreational vehicles designed for the onboard wellbeing of our motorhome users." And we have delivered on our promise for over 50 years through our expertise in cutting-edge techniques combined with our hand-crafting skills, to deliver products that meet the highest expectations. Our experience and customer focus have enabled us to adapt to changing behaviours and nurture the passion for motorhomes that excites us as much as our customers.

We are committed to tackling environmental and financial challenges by improving our production methods. Our environmental impact, local production, choice of materials, energy savings and more form part of our key priorities.

+ 2,000
hours of training
every year
for our employees

100%
of our vehicles are
fitted with EURO 6D
engines to reduce their
environmental impact.

94% of our suppliers
of European plywood hold
PEFC certification,
which guarantees
sustainable
forest management.

We aim to work with local
partners within a radius of
20 km of our sites
in order to support the regional
and national economy and
reduce our carbon footprint.



Since 2005 FLEURETTE CONSTRUCTEUR belongs to the European group Rapido, a leader in the today's market for motorhomes, mobile homes, fitted vans and vans with elevating roofs. We share with the group the values of a family business: proximity, quality and innovation for French customers and their European neighbours.



STRIVING TO DEVELOP WITHIN A DURABLE, HEALTHY ECOSYSTEM

*Our commitment
for more than 50 years.*

REDUCING OUR ENVIRONMENTAL IMPACT

We are committed to minimising the impact of our business on the planet through: our waste processing policy (from suppliers to recycling); 94% of our suppliers of European plywood holding PEFC certification which guarantees sustainable forest management; a study on introducing compactors in 2022; and support for a local association that creates hives to produce organic, healthy honey.

SUPPORTING THE LOCAL ECONOMY

We prefer local partners in order to support the regional and national economy, and help minimise the carbon footprint created by transporting our goods. As part of the French Fab, which promotes French industries abroad, it is important to us that we choose suppliers who share our values and environmental concerns, and are involved in our local economy.



MODERN, ECO-FRIENDLY MANUFACTURING

This vision came into play when we increased our buildings. When we built our new plant in Benet in 2018, numerous measures were taken in terms of heating, lighting and water. Everything was done to protect natural resources.



MORE ENERGY-EFFICIENT VEHICLES

- 100% LED cell lighting for a 10-fold reduction in energy consumption, which can be which is automated to adjust consumption as much as possible.
- Shower head with water saver for more autonomy.
- Polyester front and roof in our motorhomes for better insulation.
- Battery management system to monitor the remaining autonomy of the cell battery.
- Optimised dust extraction equipment for healthy air and reduced CO2 emissions into the atmosphere.



RESPONSIBLE EMPLOYER

FLEURETTE CONSTRUCTEUR has always focused on sustainable employment by constantly striving to ensure job stability, diversity, inclusivity, equality and upskilling throughout the career of each and every employee. Kindness, perseverance and commitment are key values that motivate all of us in our roles.

Choose Fleurette Constructeur:
the specialist in **PREMIUM FRENCH MOTORHOMES**

FLEURETTE CONSTRUCTEUR has always drawn on its meticulous manufacturing work to offer elegant motorhomes with sophisticated interiors, where a blend of the traditional, the modern and the creative make a harmonious whole. FLEURETTE CONSTRUCTEUR is one of the few companies to have its own polyester workshop and to manufacture all of its furniture and composite parts. "We have an eye for detail and high standards in terms of quality and finish. That is why we wanted our employees' skills to cover all areas, from design to assembly." Our teams hand down this unique know-how and keenly use those skills to satisfy all of our Florium by Fleurette motorhome enthusiasts.

TWO BRANDS AND TWO STYLES FOR MOTORHOME TRAVEL

Florium by Fleurette has its longstanding signature charm with welcoming woodwork and cosy styles.

Florium has its bright styles and decisively modern touch.

MODELS DESIGNED BY OUR DESIGN OFFICE

Using high-performance design software, our developers strive every year to bring you new layouts and ingenious designs that match your lifestyle and deliver great storage spaces.



LEARN ABOUT OUR EXPERTISE
AT FLEURETTE-CONSTRUCTEUR.FR/EN/



100% REINFORCED POLYESTER bodywork motorhomes



Today, FLEURETTE CONSTRUCTEUR is the only manufacturer in Europe with 100% polyester bodywork vehicles, which are produced entirely in our factory in the Vendée region.

QUALITY, DURABLE RAW MATERIALS.

- 1/ The high-tech gel coat.
- 2/ The fiberglass lining.
- 3/ The resin matrix.

Joinery FITTED



Today, combining industrial performance, digital order processing and artisanal craftsmanship, the joinery team draws on its skills and a wide variety of processes, working together to relentlessly enrich the layouts of our motorhomes.

Two woods, two styles:

- **Walnut** for Discover, Magister and Migrateur.
- **Cedar** for Baxter, Mayflower and Winchester.

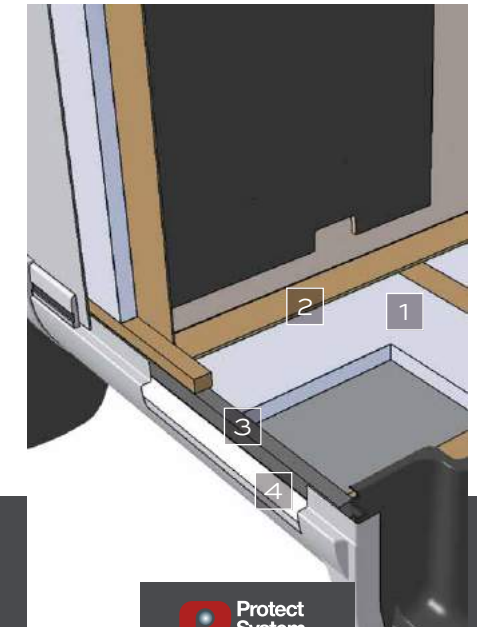


Recovery System, The only assembly method OF ITS KIND IN EUROPE



- The hood, roof and rear are attached/affixed without drilling, by covering the sides.
- Wraparound panoramic wideangle windscreen, increased visibility for your safety.
- Lowered full-width polyester storage area on chassis extension. It is padded and heated for greater insulation.
- Flush bay improving the thermal insulation and security of your vehicle (cannot be removed from the outside).

Protect System, OPTIMAL DURABILITY and INSULATION



The insulating XPS Styrofoam (30 mm of Styrofoam either side and in the floor) is renowned for its great thermal and acoustic insulating properties, water-resistance and lightness.

The fibre composite/wood combination strengthens the structure of the walls and floor, combining the long-lasting properties of the composite with the exceptional solidity of solid wood.

- 1/ Styrofoam
- 2/ Wooden strip
- 3/ Polyurethane strip
- 4/ Polyester

Experience and explore freely, without limits.

Stylish & Modern

Distinction by **FLORIUM**

BAXTER RANGE

THE COMPACT, FASHIONABLE LOW-PROFILE

TV not supplied

60LG

Left-hand side bed
 2 x4 / 1 x3 / 1 x4



64LDF

Right-hand side bed
 face-to-face living room
 2 x4 / 1 x3 / 1 x4



65LJG

Twin beds
 2 x4 / 1 x3 / 1 x4



MAYFLOWER RANGE

THE HAUTE-COUTURE LOW-PROFILE

TV not supplied

67LO

Lounge with storage area
 + 150 cm electric drop-down double bed
 2 x3/4 / 1 x4 / 1 x6



70LMF

Central bed + face-to-face living room + Electric drop-down single bed (Option)
 2 x3/4 / 1 x3 4 optional / 1 x5



73LJG

Twin beds + face-to-face living room + Electric drop-down double bed (Option)
 2 x3/4 / 1 x3 4 optional / 1 x5



74LMF

Central bed face-to-face living room + Electric drop-down double bed (Option)
 2 x3/4 / 1 x3 4 optional / 1 x5



WINCESTER RANGE

PREMIUM A-CLASS

TV not supplied

69LM

Central bed over storage area + L-shaped living room
 2 x3/4 / 1 x4 / 1 x5



71LMF

Central bed face-to-face living room
 2 x3/4 / 1 x4 / 1 x4



74LJG

Twin beds over garage + Face-to-face living room
 2 x3 / 1 x4 / 1 x6



75LMF

Height-adjustable central bed + Face-to-face living room
 2 x3/4 / 1 x4 / 1 x6



75LOFT

Front face-to-face living room + Large rear living room
 2 x3 / 1 x4 5 optional / 1 x6




78LMF (Heavy vehicles)

Height-adjustable central bed + Face-to-face living room
 2 x4 / 1 x4 / 1 x7





 VIRTUALLY STEP
INSIDE OUR
MOTORHOMES
360° TOUR



POP model option - only on 64 LDF

- 1 / Living room 65 LJG
- Beige/Damas upholstery
- 2 / Kitchen 64 LDF
- Beige / Malta upholstery
- POP model: pop-up roof (Option)
- 3 / Bedroom 60 LG
- 4 / Kitchen 60 LG
- 5 / Wardrobe 65 LJG
- 6 / Storage area 65 LJG

BAXTER
RANGE





1



VIRTUALLY STEP
INSIDE OUR
MOTORHOMES
360° TOUR



2



3



4



5

- 1 / Living room 73 LJG
- Beige/Malta upholstery
- 2 / Kitchen 73 LJG / 74 LMF

- 3 / Bathroom 67 LO
- 4 / Bedroom 74 LMF
- 5 / Drop-down bed 67 LO

MAYFLOWER
RANGE





1



VIRTUALLY STEP
INSIDE OUR
MOTORHOMES
360° TOUR



2

3



4

5



1 / Living room 75 LMF
- Emocuir Sablack
upholstery (Option 2 /
Living room 69 LM
- Beige / Damas upholstery

3 / Front Drop-down bed
4 / Kitchen 75 LMF / 74 LJG
5 / Large storage area
on 75 LMF
(optional on 71 LMF)

WINCESTER
RANGE





Enjoy stress-free travel
and refresh your senses.

Natural & Authentic

Exception with

FLORIUM
by FLEURETTE

MIGRATEUR

RANGE
THE ULTRA-COMPACT LOW-PROFILE

TV not supplied

60LG

Left-hand side bed
x4 / x3 / x4



64LDF

Right-hand side bed
face-to-face living room
x4 / x3 / x4



65LJG

Twin beds
x4 / x3 / x4



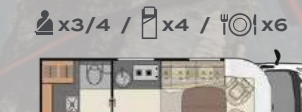
MAGISTER

RANGE
THE ULTRA-SPACIOUS LOW-PROFILE

TV not supplied

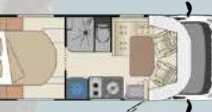
67LO

Lounge with storage area
+ 150 cm electric drop-down
double bed
x3/4 / x4 / x6



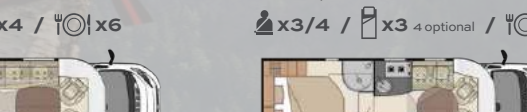
68LM

Central bed
x4 / x3 / x4



70LMF

Central bed + face-to-face living
room + Electric drop-down single
bed (Option)
x3/4 / x3 4 optional / x5



73LJG

Twin beds + face-to-face
living room + Electric drop-down
double bed (Option)
x3/4 / x3 4 optional / x5



74LMF

Central bed face-to-face living
room + Electric drop-down double
bed (Option)
x3/4 / x3 4 optional / x5



DISCOVER

RANGE
THE ULTRA-SPACIOUS LOW-PROFILE

TV not supplied

69LM

Central bed over storage
area + I-shaped living room
x3/4 / x4 / x5



71LMF

Central bed face-to-face
living room
x3/4 / x4 / x4



74LJG

Twin beds over garage
+ Face-to-face living room
x3 / x4 / x6



75LMF

Height-adjustable
central bed
+ Face-to-face living room
x3/4 / x4 / x6



75LOFT

Front face-to-face
living room
+ Large rear living room
x3 / x4 5 optional / x6



78LMF (Heavy vehicles)

Height-adjustable
central bed
+ Face-to-face living room
x4 / x4 / x7





1



VIRTUALLY STEP
INSIDE OUR
MOTORHOMES
360° TOUR



2



3



4

1 / Living room 68 LM
- Beige / Perle upholstery

3 / Bathroom 68 LM
4 / Kitchen 68 LM

MIGRATEUR

RANGE





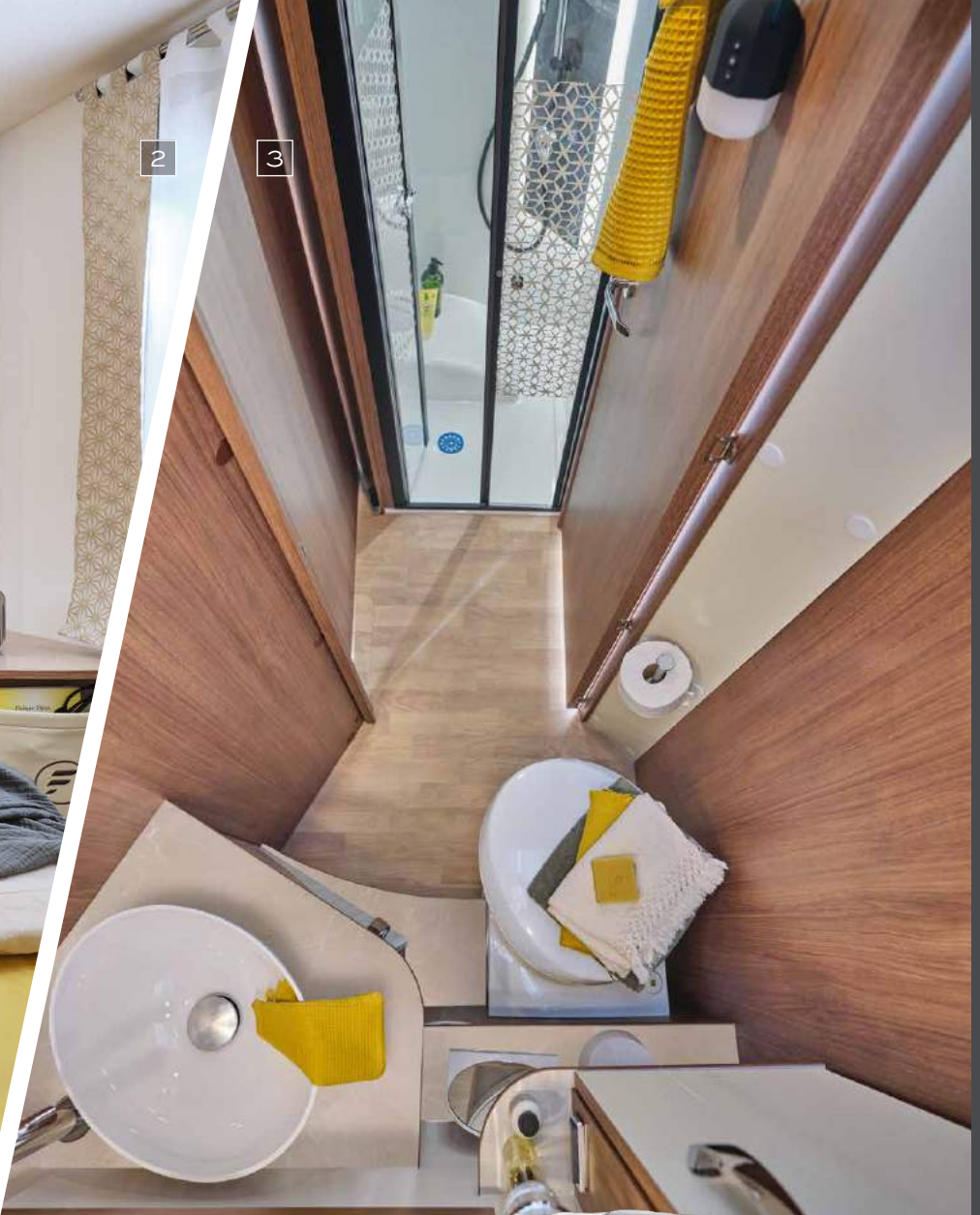
1



VIRTUALLY STEP
INSIDE OUR
MOTORHOMES
360° TOUR



2



3

- 1 / Living room 67 LO - Beige/Tenerife upholstery
- 2 / Bedroom 74 LMF
- 3 / Bathroom 74 LMF

MAGISTER

RANGE





1



VIRTUALLY STEP
INSIDE OUR
MOTORHOMES
360° TOUR



2



3



4

5



- 1 / Living room 78 LMF
- Emocuir ivoire upholstery
- 2 / Bedroom 75 LMF
- 3 / Bathroom 78 LMF

- 4 / Bedroom 74 LJG
- 5 / Kitchen 74 LJG / 75 LMF

DISCOVER
RANGE



Travel in the finest of motorhomes.

Exceptional & Elegant

Choose from our limited edition range



Crystals equal brilliance and strength. Two keywords that you will find throughout these five exclusive FLORIUM models by FLEURETTE. Within this welcoming, modern atmosphere, you can enjoy exceptional experiences in optimal comfort.

The CRISTAL finish features premium fittings and stands out with its nautical-inspired style and luxury look, which make you feel like you are travelling in first class.



MIGRATEUR

RANGE
THE ULTRA-COMPACT LOW-PROFILE

TV not supplied

64LDF

- Black alloy rims
- Black grille on the front
- Truma 4 EH heating
- Emocuir upholstery
- CRISTAL silkscreen print

👤 x4 / 🚪 x3 / 🗑️ x4



MAGISTER

RANGE
THE ULTRA-SPACIOUS LOW-PROFILE

TV not supplied

70LMF

- Black alloy rims
- Black grille on the front
- Truma 4 EH heating
- Emocuir upholstery
- CRISTAL silkscreen print

👤 x3/4 / 🚪 x3 4 optional / 🗑️ x5



74LMF

- Black alloy rims
- Black grille on the front
- Truma 6 EH heating
- Emocuir upholstery
- CRISTAL silkscreen print

👤 x3/4 / 🚪 x3 4 optional / 🗑️ x5



DISCOVER

RANGE
THE ULTRA-SPACIOUS LOW-PROFILE

TV not supplied

71LMF

- Truma 6 EH heating
- Emocuir upholstery
- CRISTAL silkscreen print
- Leather-covered gear knob and steering wheel with controls

👤 x3/4 / 🚪 x4 / 🗑️ x4



75LMF

- Truma 6 EH heating
- Emocuir upholstery
- CRISTAL silkscreen print
- Leather-covered gear knob and steering wheel with controls

👤 x3/4 / 🚪 x4 / 🗑️ x6





1



VIRTUALLY STEP
INSIDE OUR
MOTORHOMES
360° TOUR



2

- 1 / Living room Magister 74 LMF - Cristal upholstery
- 2 / Living room Winchester 75 LMF - Cristal upholstery

CRISTAL

LIMITED EDITION SERIES



PACKS

Comfort Pack : Hartal cell door with flyscreen, Remis front windscreen
Optimum Pack : Alde central heating, Heavy chassis 40H, engine Fiat 2.3 Multijet 160 HP
Hight Navision Pack: Pioneer multimedia GPS + reversing camera
Traction + pack : electronic differential, ASR, hill start assistance

ENGINES

FIAT 2.3 Multijet 120 HP
FIAT 2.3 Multijet 140 HP
FIAT 2.3 Multijet 140 HP Automatic gearbox
FIAT 2.3 Multijet 160 HP
FIAT 2.3 Multijet 160 HP Automatic gearbox
FIAT 2.3 Multijet 180 HP
FIAT 2.3 Multijet 180 HP Automatic gearbox

CELL EQUIPMENTS

145 L AES refridgerator with frozen food compartment
153 L AES refridgerator with frozen food compartment and integrated grill hoven 11,5l
Extractor hood with side extraction
Stainless steel 2-burner hob with glass cover
Stainless steel
Kitchen mixer tap
Bottle racks
Central table with extension
Bathroom with shower cabinet
Brass-chromed washbasin and shower
Telescopic towel rail
Curtain panels, nettings, bed cover, tartan rug on middle bed only
Opening, double glazed windows with anti UV-treatment
Blind and flyscreen on all the windows

LOW-PROFILES

A-CLASSES

MIGRATEUR / BAXTER				MAGISTER / MAYFLOWER				DISCOVER / WINCESTER					
60 LG	64 LDF	65 LJG	68LM	67 LO	70 LMF	73 LJG	74 LMF	69 LM	71 LMF	74 LJG	75 LOFT	75 LMF	78 LMF
o	o	o	o	o	o	o	o	-	-	-	-	-	-
-	-	-	-	-	-	-	-	-	-	o	-	o	s
o	o	o	o	o	o	o	o	o	o	o	o	o	o
o	o	o	o	o	o	o	o	s	s	s	s	s	s

MIGRATEUR / BAXTER				MAGISTER / MAYFLOWER				DISCOVER / WINCESTER					
60 LG	64 LDF	65 LJG	68LM	67 LO	70 LMF	73 LJG	74 LMF	69 LM	71 LMF	74 LJG	75 LOFT	75 LMF	78 LMF
s	s	s	s	-	-	-	-	-	-	-	-	-	-
o	o	o	o	s	s	s	s	s	s	s	s	s	-
o	o	o	o	o	o	o	o	o	o	o	o	o	-
o	o	o	o	o	o	o	o	o	o	o	o	o	s
o	o	o	o	o	o	o	o	o	o	o	o	o	o
o	o	o	o	o	o	o	o	o	o	o	o	o	o

MIGRATEUR / BAXTER				MAGISTER / MAYFLOWER				DISCOVER / WINCESTER					
60 LG	64 LDF	65 LJG	68LM	67 LO	70 LMF	73 LJG	74 LMF	69 LM	71 LMF	74 LJG	75 LOFT	75 LMF	78 LMF
s	s	s	s	s	s	s	s	s	s	s	s	s	s
-	o	o	o	o	o	o	o	o	o	o	o	o	o
o	o	o	o	o	o	o	o	s	s	s	s	s	s
s	s	s	s	s	s	s	s	s	s	s	s	s	s
s	s	s	s	s	s	s	s	s	s	s	s	s	s
s	s	-	-	-	-	-	-	s	s	s	s	s	s
-	-	-	-	s	s	s	s	s	s	s	s	s	s
s	s	s	s	s	s	s	s	s	s	s	s	s	s
s	s	s	s	s	s	s	s	s	s	s	s	s	s
s	s	s	s	s	s	s	s	s	s	s	s	s	s
o	o	o	o	o	o	o	o	s	s	s	s	s	s
s	s	s	s	s	s	s	s	s	s	s	s	s	s
s	s	s	s	s	s	s	s	s	s	s	s	s	s

LOW-PROFILES

A-CLASSES

CELL EQUIPMENTS

Privacy store
Sliding window with bling and flyscreen on the cell door
Cell door XL
Flyscreen on the cell door
Folded cab blinds
Bed with slatted frame and Bultex type high-density mattress
Rear bed dimensions
Front bed dimensions
Front lounge converts to a bed with a telescopic table foot
Drop-down bed for 2 persons with slatted frame
Rigid bedroom partition
Curtain bedroom partition
TV bracket
Wardrobe
Storage compartment under the bed
Inside storage compartment in the double floor
External access to the double floor
Electric stepladder
Skylight with blind and flyscreen
Garage doors
Garage storage volume (in liters)
Electrical bed adjustment
POP : Lift roof
Under-floor garage compartment in polyester
Body work in polyester
Styrofoam insulation, 36 mm thick in the sides and floor
Sturdy wood/composite structure
Under floor with polyester Protect System
Polyester skin on the roof with greater resistance to bad weather
Roof deck
2 points safety belt
Height-adjustable 3-point safety belts

MIGRATEUR / BAXTER				MAGISTER / MAYFLOWER				DISCOVER / WINCESTER					
60 LG	64 LDF	65 LJG	68LM	67 LO	70 LMF	73 LJG	74 LMF	69 LM	71 LMF	74 LJG	75 LOFT	75 LMF	78 LMF
-	-	-	-	-	-	-	-	s	s	s	s	s	s
o	o	o	o	o	o	o	o	s	s	s	s	s	s
-	s	-	-	s	-	-	-	s	s	s	s	s	s
o	o	o	o	o	o	o	o	s	s	s	s	s	s
o	o	o	o	o	o	o	o	s	s	s	s	s	s
s	s	s	s	s	s	s	s	s	s	s	s	s	s
1920 x 1300	1920 x 1300	1940 x 800 (x2)	1900 x 1400	-	1900 x 1500	1965 x 800 (x2)	1900 x 1500	1900 x 1500	1900 x 1500	800 x 2000 (x2)	(O) 1900 x 1400	1900 x 1500	1900 x 1500
1900 x 690	1900 x 800	1900 x 900	1900 x 900	1900 x 1500	(O) 1900 x 1100	(O) 1900 x 1300	(O) 1900 x 1300	1850 x 1350	1850 x 1350	1850 x 1350	1850 x 1350	1850 x 1350	1850 x 1350
o	o	o	o	s	o	o	o	-	-	-	-	-	-
-	-	-	-	s	o	o	o	s	s	s	s	s	s
-	-	-	-	s	s	s	s	s	s	s	s	s	s
-	s	s	s	-	-	-	-	-	-	-	-	-	-
1	1	1	1	1	1	1	1	1	1	1	2	1	1
1	1	1	2	2	2	1	2	2	2	1	2	2	2
s	s	s	-	-	s	s	s	s	s	s	s	s	s
-	-	-	-	-	-	-	-	s	s	s	s	s	s
-	-	-	-	-	-	-	-	s	s	s	s	s	s
s	s	s	s	s	s	s	s	s	s	s	s	s	s
H41 x L70	H41 x L95	H91 x L70 H 56 x L58	H79 x L70 H 64 x L81	H114 x L55 H68 x L63	H80 x L70 H68 x L63	H114 x L70 H68 x L63	H114 x L70 H68 x L63	H95 x L79 H80 x L85	H95 x L79 H80 x L85	H114 x L79 H80 x L85	H54 x L79 H16 x L89	H114 x L79 H95 x L79	H114 x L79 H95 x L79
700	899	1800	1200	2000	1800 / 2200 (O)	2400	1900 to 2300	2300	2300 / 2700 (O)	2800	1100	2300 to 2700	2300 to 2700
-	-	-	-	s	o	-	s	-	o	-	o	s	s
-	o	-	-	-	-	-	-	-	-	-	-	-	-
-	-	s	s	s	s	s	s	s	s	s	s	s	s
s	s	s	s	s	s	s	s	s	s	s	s	s	s
s	s	s	s	s	s	s	s	s	s	s	s	s	s
s	s	s	s	s	s	s	s	s	s	s	s	s	s
s	s	s	s	s	s	s	s	s	s	s	s	s	s
o	o	o	o	o	o	o	o	s	s	s	s	s	s
-	1	-	-	-	1	-	-	-	1	-	-	-	-
2	1	2	2	2	1	2	2	2	1	2	1	2	2

CUSTOMIZING MY INTERIOR

has never been so easy...



Because your second home should be as comfortable as your first, we offer you resolutely modern and fashionable style, placing your comfort first.

By choosing the fabric for your bench seats and cushions, you can create a cocooning atmosphere, in your style.



BEIGE & DAMAS



GREY & PERLE



BEIGE & ETNA



BEIGE & MALTA

14 POSSIBLE COMBINATIONS

FOR A STYLE THAT RESEMBLES YOU, ALWAYS WITH CLASS!

1 Choose the seating and cushion fabric



2 Choose the seat back fabric



YOU CAN ALSO CHOOSE LEATHER FOR YOUR LIVING ROOM**



Ivory 100% full-grain leather



** Option

CRISTAL LIMITED EDITION EMOCUIR LEATHER UPHOLSTERY

Only available for models: Migrateur 64 LDF, Magister 70 LMF and 74 LMF, and Discover 71 LMF and 75 LMF.



COMFORT AND DESIGN

for your daily well-being.



TOUCHSCREEN-CONTROLLED HEATING FOR YOUR MOTORHOME

Touch screen-controlled heating for your motorhome Truma Combi Heating owes its success to the fact that it is compact, effective and reliable. It combines hot water and heating in a single piece of equipment. Every year, Truma redevelops its systems to remain the most innovative brand in Germany.

- Operates on gas and electricity (as an optional extra*).
- Air and water are heated with 97% efficiency using 1800W electric resistance heating.
- Collision sensor that cuts the gas in the event of an accident.
- Exists in two systems, Combi 4 E (4000 W), Combi 6 E (6900 W). The Truma EH makes it possible to use the heating on 220V.

*This season, this is provided as standard on the models CRISTAL Migrateur 64LDF, Magister 70LMF/74LMF and Discover 71LMF/75LMF.

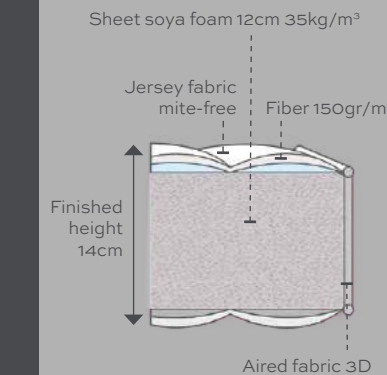


LUXURY BEDDING

Sleep is essential to your health and wellbeing, which is why we want you to be as comfortable as possible. All of our mattresses are made from 35kg/m² density soy-based Evoluflex foam and sit on a slat base.

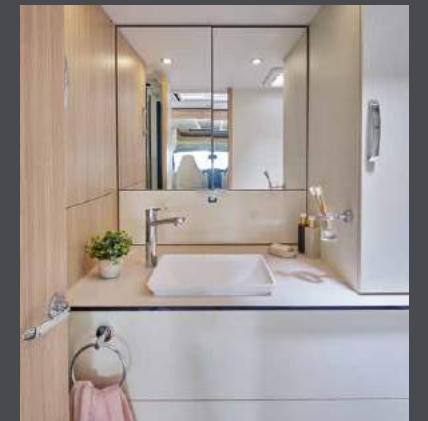
BENEFITS :

- 12 cm highly durable foam panel
- 150 g/m² hypoallergenic fibre padding
- anti-acarid jersey equipment on both sides of the bed
- adapts to your morphology



STUNNING FURNITURE

with spacious integrated storage solutions



CHOOSE the MOTORHOME that resembles you

COMPACT LOW-PROFILES HxL : 2,70 M** x 2,23 M

FLORIUM BAXTER FLEURETTE MIGRATEUR

SPACIOUS LOW-PROFILES HxL : 2,78 M** x 2,34 M

FLORIUM MAYFLOWER FLEURETTE MAGISTER

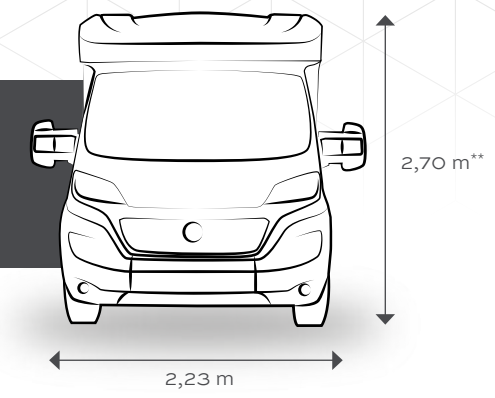
≤ 6,00 M	60 LG <small>P.10 / P.18</small> 5,99 m	
≤ 6,50 M	64 LDF* <small>Cristal Edition on Florium by Fleurette P.10 / P.18 / P.24</small> 6,47 m	
≤ 7,00 M	65 LJG <small>STORAGE SPACE P.10 / P.18</small> 6,59 m	67 LO <small>STORAGE SPACE P.12 / P.20</small> 6,77 m
	68 LM <small>P.10 / P.18</small> 6,85 m	70 LMF <small>Cristal Edition on Florium by Fleurette Electric drop-down bed (optional extra) P.12 / P.20 / P.24</small> 6,97 m
≤ 7,50 M		73 LJG <small>Electric drop-down bed (optional extra) STORAGE SPACE P.12 / P.20</small> 7,38 m
		74 LMF <small>Cristal Edition on Florium by Fleurette Electric drop-down bed (optional extra) STORAGE SPACE P.12 / P.20 / P.24</small> 7,38 m
≤ 8,00 M		

PREMIUM A-CLASSES HxL : 2,88 M*** x 2,30 M

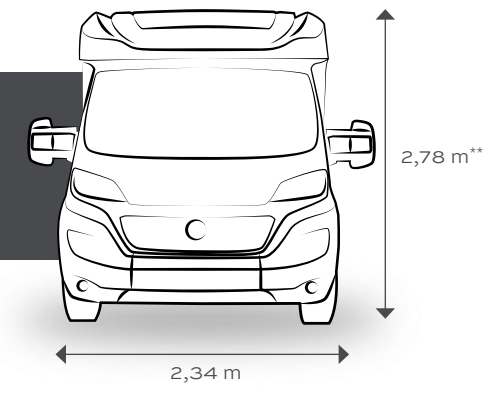
FLORIUM WINCESTER FLEURETTE DISCOVER

≤ 6,00 M		
≤ 6,50 M		
≤ 7,00 M	69 LM <small>P.14 / P.22</small> 6,99 m	
≤ 7,50 M	71 LMF <small>Cristal Edition on Florium by Fleurette P.14 / P.22 / P.24</small> 7,19 m	
	74 LJG <small>STORAGE SPACE P.14 / P.22</small> 7,49 m	
≤ 8,00 M	75 LMF <small>Cristal Edition on Florium by Fleurette STORAGE SPACE P.14 / P.22 / P.24</small> 7,49 m	
	75 LOFT <small>P.14 / P.22</small> 7,49 m	
≤ 8,00 M HEAVY VEHICLES	78 LMF <small>STORAGE SPACE P.14 / P.22</small> 7,86 m	

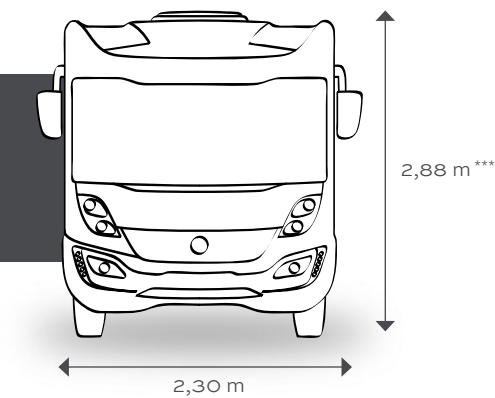
COMPACT LOW-PROFILES FLORIUM BAXTER FLEURETTE MIGRATEUR



SPACIOUS LOW-PROFILES FLORIUM MAYFLOWER FLEURETTE MAGISTER



PREMIUM A-CLASSES FLORIUM WINCESTER FLEURETTE DISCOVER



*Increased height with the pop-up roof option (POP)
**With 15" rims, excluding fittings
***Excluding fittings

WINCESTER
MAYFLOWER
BAXTER
MIGRATEUR

WINCESTER
MAYFLOWER
BAXTER
MIGRATEUR

OUR PARTNER DEALERS

IN FRANCE:

- 06 Mistral Camping-Cars
- 11 TPL Narbonne
- 11 TPL Castelnaudary
- 13 TPL Aubagne
- 14 Horizon Caen
- 16 Remy Frères
- 17 L.D.L La Rochelle
- 18 Solyne
- 22 Jacqueline Plénée Jugon
- 26 Andrieux Camping-Cars
- 27 Horizon Evreux
- 29 Bonjour Caravanning
- 30 TPL Nîmes
- 31 TPL Toulouse
- 33 Horizon Bordeaux
- 33 Horizon Peujard
- 34 TPL Montpellier
- 35 YPOCAMP Ouest Evasion
- 37 Camping-Cars de Touraine
- 38 Alpes Evasion 38
- 39 Juraloisir
- 40 YPOCAMP Loisirs 40
- 42 Loisirs Concept
- 43 Velay loisirs
- 44 Caravanning Central Nantes
- 45 3CF Camping-Car Centre France
- 47 Loisireo Agen
- 50 Sosson Evasion
- 56 SLC 56
- 59 Lestringuez Seclin
- 59 Lestringuez Beauvois-en-Cambresis
- 60 CLC Wattellier Loisirs
- 62 Caravan'Or Béthunes
- 63 Evasion 63
- 65 ABC Idylcar Tarbes
- 67 Loisirs Camping-Cars
- 69 Camping-Car 69
- 72 Camping-cars du Mans
- 74 Isacar Loisirs
- 76 Caravane Service Jousse
- 80 Brousse Loisirs
- 83 Var Camping-cars
- 84 TPL Sorgues
- 85 L.D.L Benet
- 85 L.D.L La Roche-sur-Yon
- 86 Vienne Aventure

ABROAD:

- Germany LA MARCA
- Germany REISEMOBILE HARTMANN
- Germany TANK REISEMOBILE
- Belgium CAMPERDISIAC
- Belgium CTM MOTORHOMES Maldegem
- Belgium CTM MOTORHOMES Berlaar
- Spain NAUTICARAVAN
- United Kingdom HARBOUR CREEK MOTORHOMES
- United Kingdom WANDAHOME SOUTH CAVE
- Switzerland GARAGE DU CHÂTEAU S.A



EXCELLENT SERVICE QUALITY

for purchases made with complete peace of mind

FLEURETTE ASSISTANCE:

SERVICES
FREE-OF-CHARGE
FOR THE FIRST
YEAR

24 hours a day, 7 days a week, in France, abroad or at home, a team of trained on-line motorhome troubleshooting and assistance engineers are available to reassure you and assist you whatever happens.

Services free-of-charge in the 1st year for all new Fleurette* and Florium* motorhomes

*After 12 months, you will be asked if you wish to continue the service For more information, contact +33 3 29 29 85 85

To find out more about our assistance service, visit www.fleurette-florium.fr/en

WARRANTY AND SERVICES:

WATER-TIGHTNESS WARRANTY 5 YEARS
INCLUDING 3 YEARS WITHOUT FOLLOW-UP INSPECTION

All the materials in contact with the exterior are rot-resistant and create a watertight shield that enables us to offer you a 5-year watertightness warranty, including 3 years without follow-up inspection. To ensure that this guarantee is as effective as possible during these 5 years, a watertightness check will be requested at the start of the 4th and 5th year.

STAY IN CONTACT



Route de Niort
85490 Benet - France

www.fleurette-florium.fr/en



Some models presented in this catalogue may be shown with optional equipment. Non-contractual photos: stylistic elements, décor and accessories not included. Since part of FLEURETTE CONSTRUCTEUR production is intended for export, the technical characteristics of the models may vary from one country to another; for an exact definition of the models marketed, please consult your dealer. FLEURETTE CONSTRUCTEUR reserves the right to make modifications to its models without notice. Despite the care taken in the production of this catalogue, it cannot be taken as a contractual document.